

Speaker Model: Imperatore

IAPHRAGM MTL: Rubber+Glass fiber

NOMINAL IMPEDANCE: $4.0 \pm 15\% \Omega$

DCR IMPEDANCE: $3.4 \pm 10\% \Omega$

SENSITIVITY 1W/1M: $88.0 \pm 3 \text{ dB}$

FREQUENCY RESPONSE: 50-10K Hz

FREE AIR RESONANCE: $50 \pm 20\% \text{ Hz}$

VOICE COIL DIAMETER: 35.5 mm

RATED POWER INPUT: 20 W

MAXIMUM POWER INPUT: 40 W

MAGNET WEIGHT (OZ): NEO

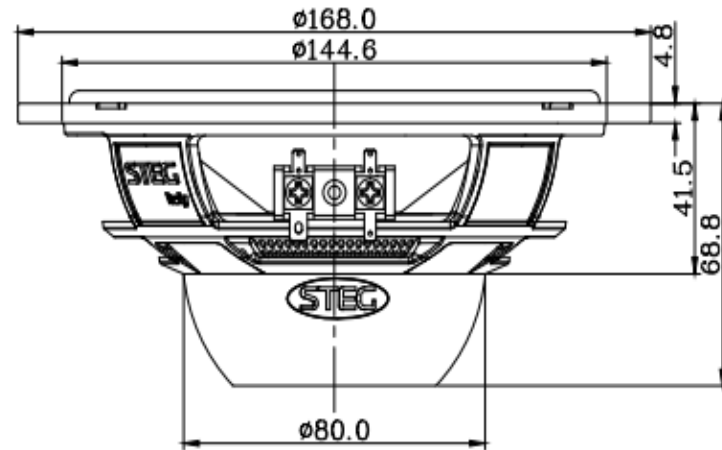
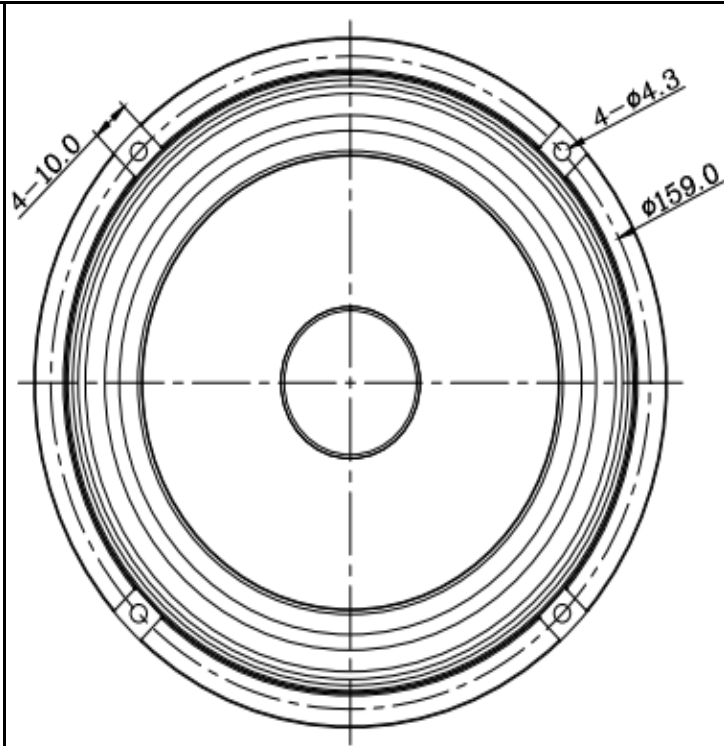
FERRO FLUID ENHANCED: NO

Q_{ms} : 2.9

Q_{es} : 0.54

Q_{ts} : 0.52

BL: 5.4



SPL vs Freq



Impedance vs Freq

