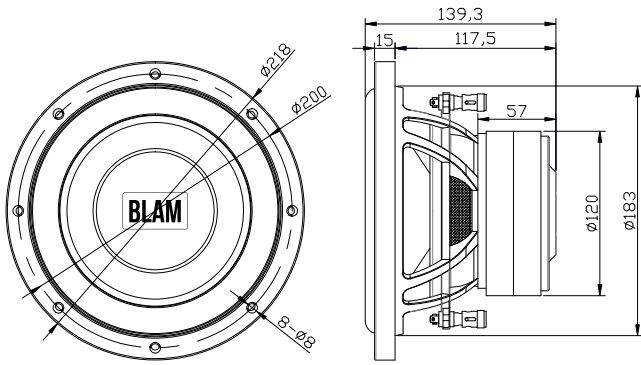


LIVE

L20 DB

subwoofer

- 200 mm (8") subwoofer
- Max. power 500 W / Nominal Power 250 W



Driven by passion.

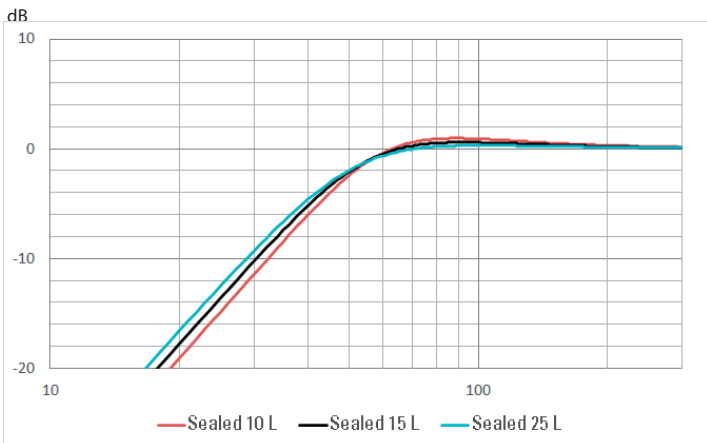


TECHNICAL SPECIFICATIONS

Component	Subwoofer	
Max power	500 W	
Nominal power	250 W	
Impedance	2 x 2 Ω	
Freq. Response	45 Hz - 500 Hz	
Sensitivity (2,83V/1m)	89 dB	
Magnet	Ferrite Y30	
Magnet size Ø x h	2 x 120 x 20 mm	2 x 4.724" x 0.787"
Total driver displacement	1 l	0.035 cf
Weight of one component	4 kg	8.818 lb
Voice coil Ø	50 mm	1.969"
Voice coil height	26 mm	1.024"
Cone	Paper	

THIELE-SMALL PARAMETERS

effective Ø (d)	160 mm
Sd	201.06 cm ²
Xmax	9 mm
Re	1.27 Ω
Fs	43.84 Hz
Le	257.41 µH @ 1 kHz
L2	644.80 µH @ 10 kHz
Vas	7.68 L
Mms	97.48 g
Cms	0.000135 m/N
BL	6.61 Tm
Qts	0.71
Qes	0.78
Qms	8.39



SEALED

Internal volume Vb	Qtc	F-3dB	Boost
10 L	0.949	47 Hz	1.0 dB at 84 Hz
15 L	0.878	45 Hz	0.6 dB at 83 Hz
25 L	0.816	44 Hz	0.3 dB at 87 Hz