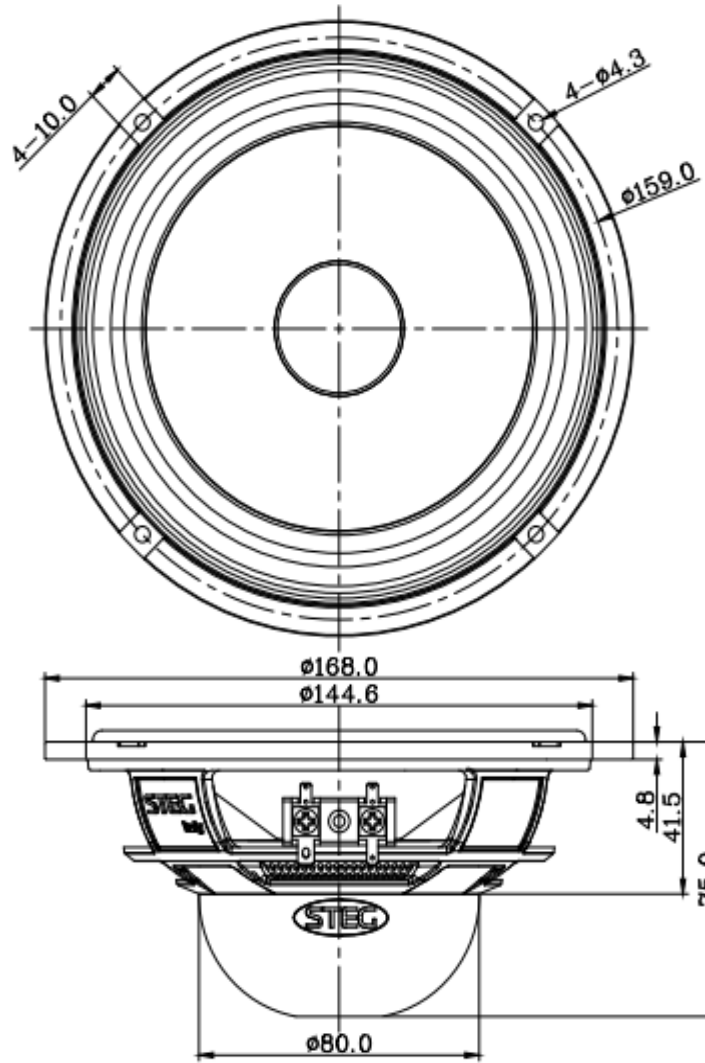
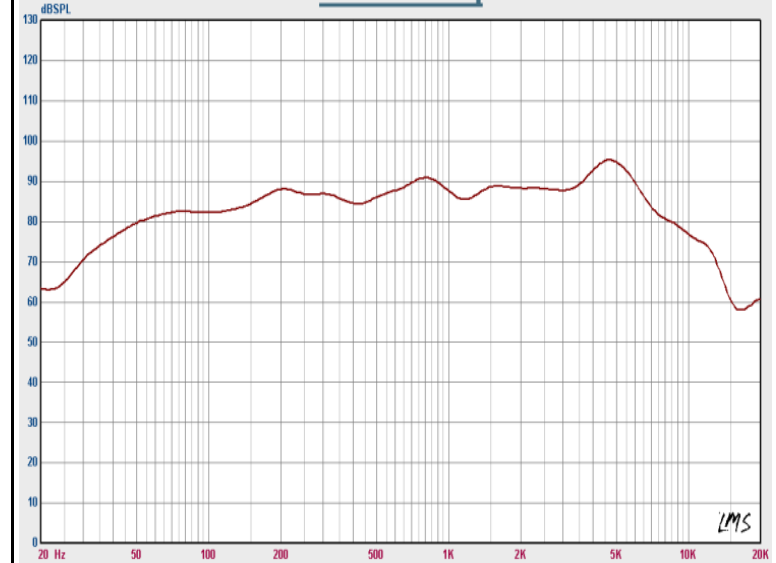


Speaker Model:Re

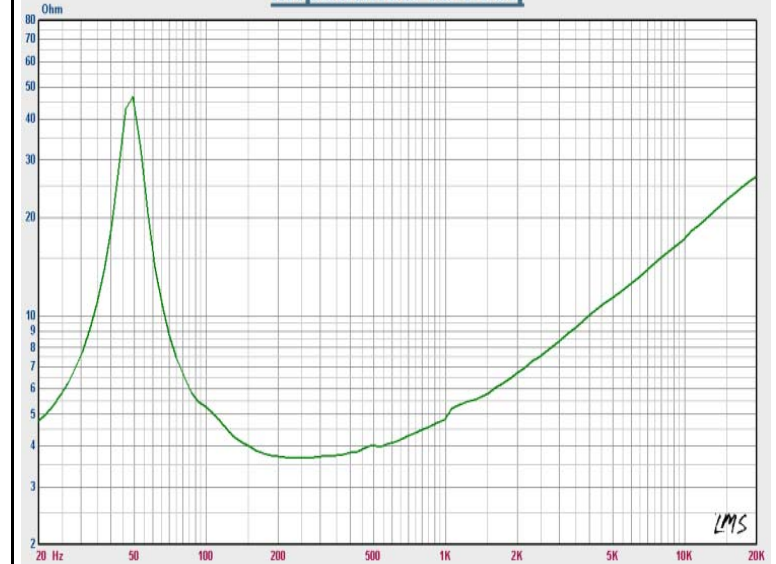
IAPHRAGM MTL:Rubber+Ceramic
 NOMINAL IMPEDANCE: $4.0 \pm 15\% \Omega$
 DCR IMPEDANCE: $3.4 \pm 10\% \Omega$
 SENSITIVITY 1W/1M: $87.0 \pm 3 \text{ dB}$
 FREQUENCY RESPONSE: 50-10K Hz
 FREE AIR RESONANCE: $50 \pm 20\% \text{ Hz}$
 VOICE COIL DIAMETER: 35.5 mm
 RATED POWER INPUT: 20 W
 MAXIMUM POWER INPUT: 40 W
 MAGNET WEIGHT (OZ): NEO
 FERRO FLUID ENHANCED: NO
 Qms: 4.1
 Qes: 0.54
 Qts: 0.47
 BL: 4.8



SPL vs Freq

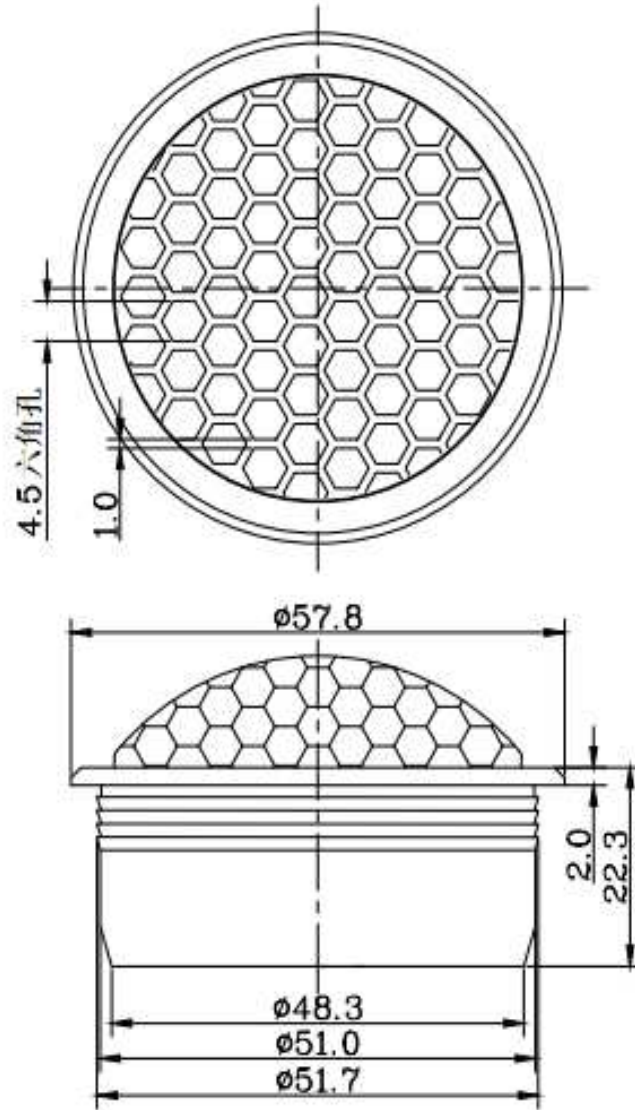


Impedance vs Freq



Speaker Model:SQ 32

IAPHRAGM MTL: Silk
 NOMINAL IMPEDANCE: $6.0 \pm 15\% \Omega$
 DCR IMPEDANCE: $5.2 \pm 10\% \Omega$
 SENSITIVITY 1W/1M: $92.0 \pm 3 \text{ dB}$
 FREQUENCY RESPONSE: 1100-20K Hz
 FREE AIR RESONANCE: $1100 \pm 20\% \text{ Hz}$
 VOICE COIL DIAMETER: 32.0 mm
 RATED POWER INPUT: 20 W
 MAXIMUM POWER INPUT: 30 W
 MAGNET WEIGHT(OZ): NEO
 FERRO FLUID ENHANCED: YES



SPL vs Freq



Impedance vs Freq

